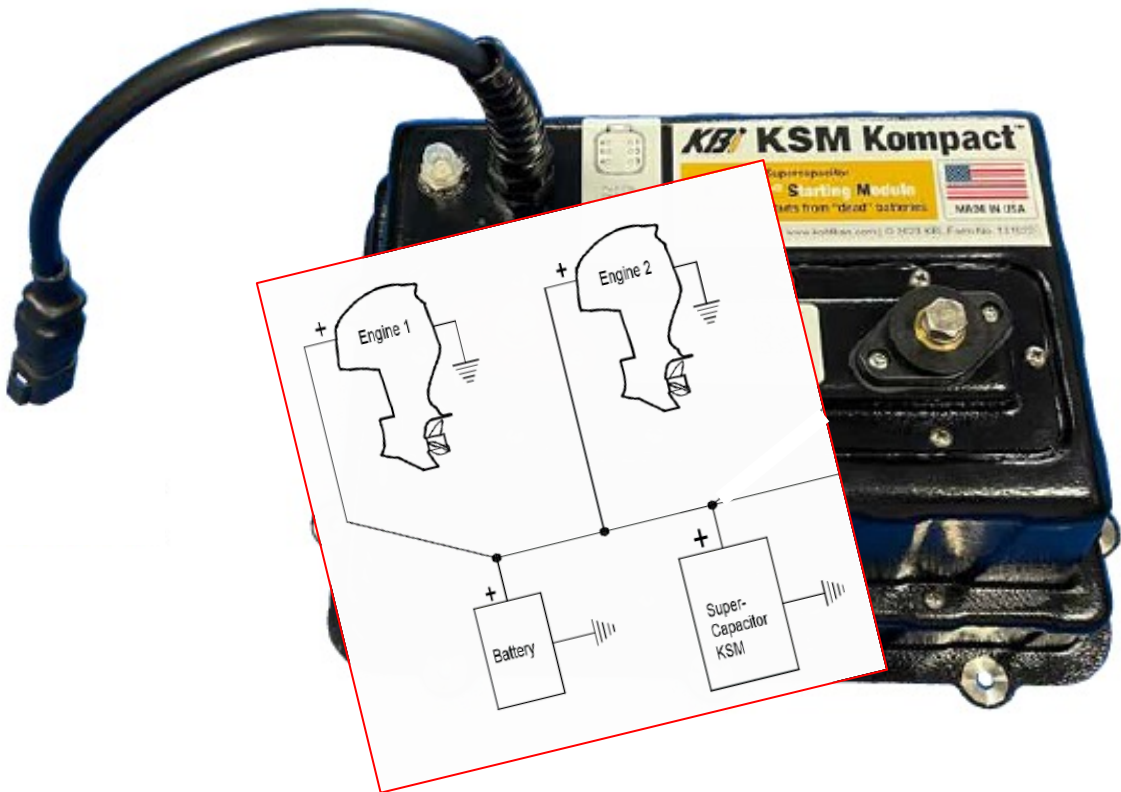




**KBi KSM Kompact™
KAPower Starting Module**

**Installation-Operation
Manual**

Supplement for twin-engine installations



KBI® KAPower® © 2023 KBI Form # 131526

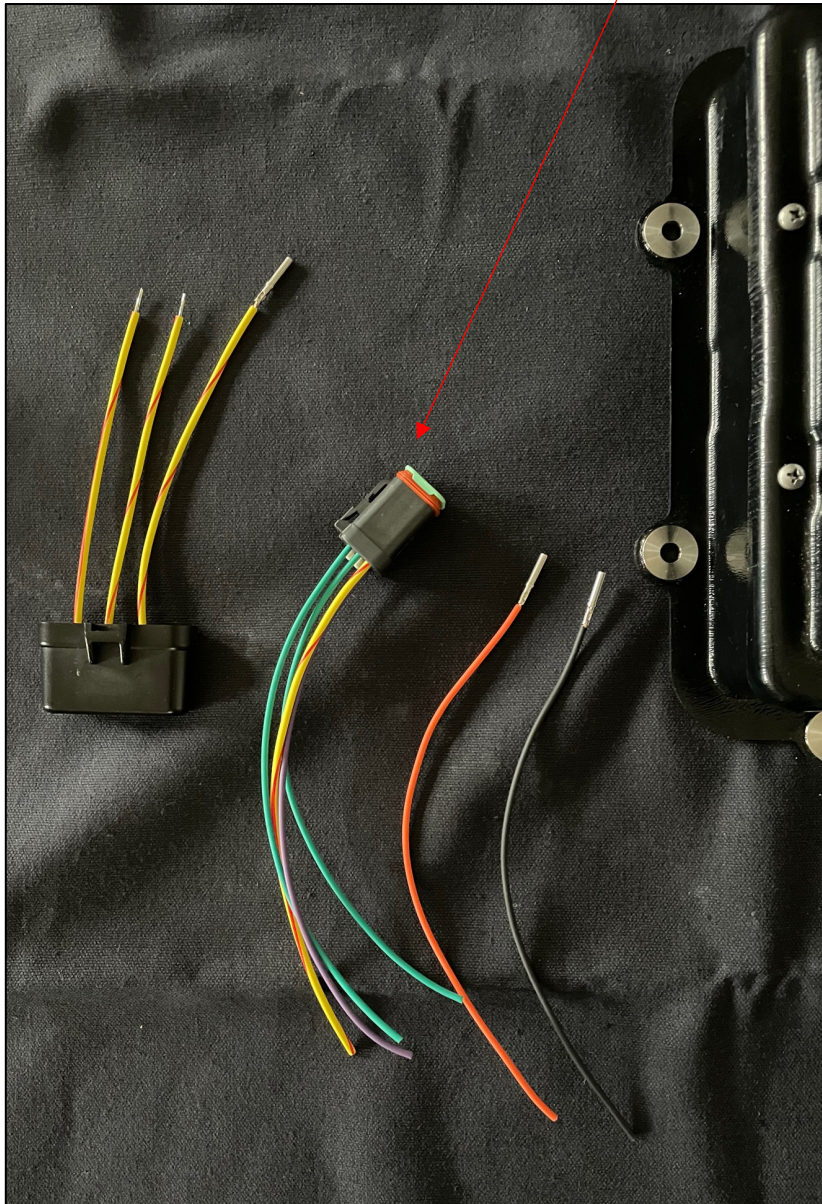


KSM Kompact main components:

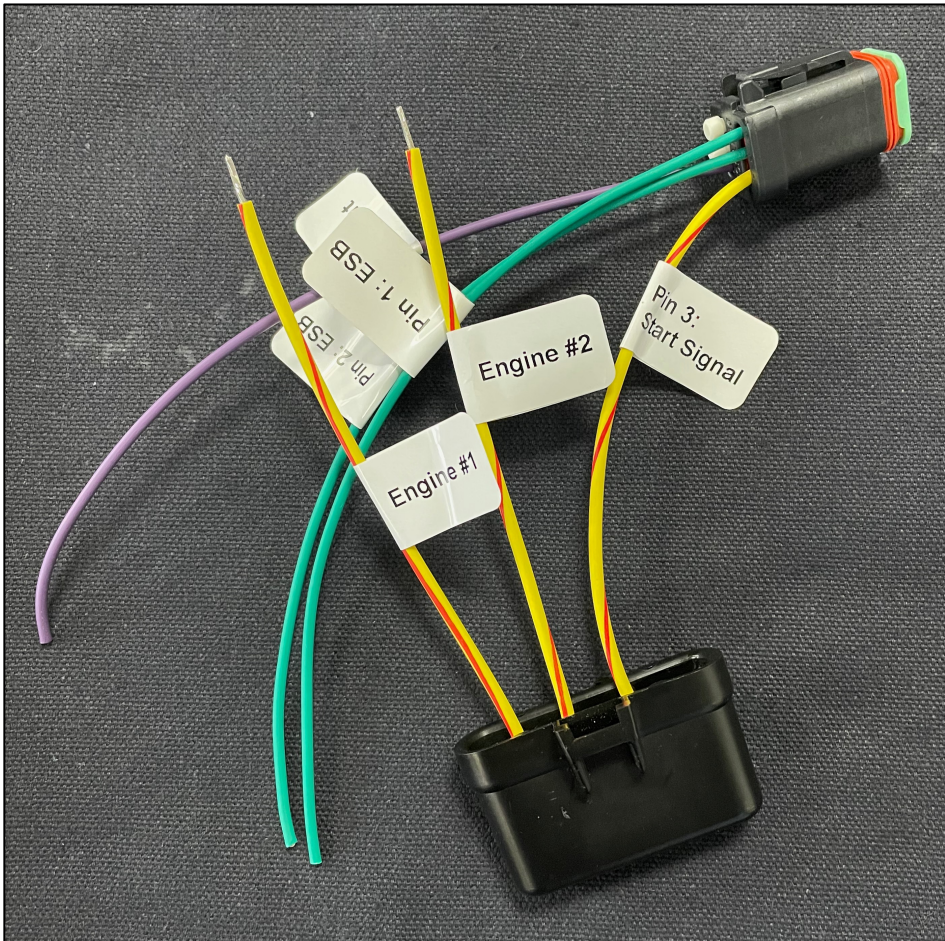
Note: The three (3) wire yellow/red stripe wire-harness assembly is the accessory for the twin-engine installation.



The appropriate tools and procedure will be needed to open and remove the single yellow/red-stripe wire from pin-3 on the Deutsch 6-pin connector.



The three (3) wire yellow/red stripe wire-harness assembly is the accessory for the twin-engine installation. Use the yellow/red stripe wire with the Deutsch terminal on the three (3) wire accessory to replace the pin-3 single yellow/red stripe wire that was removed in the prior step.



Follow the installation instructions in the Manual, noting that you now have two Starter “S” signal inputs for, one for each engine.

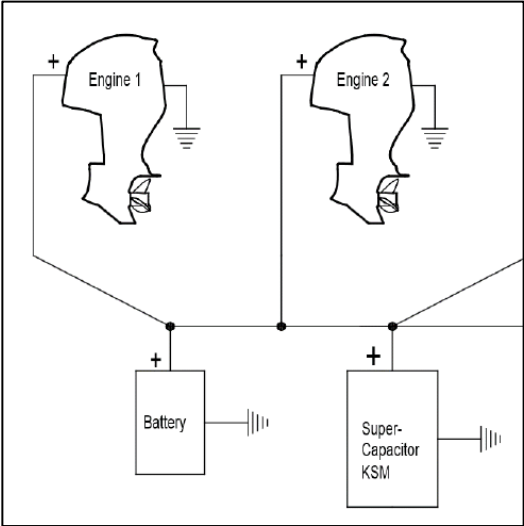
KBi[®]
KBi KSM Kompact™
KAPower Starting Module
**Installation-Operation
Manual**



Rev. A

KBi® KAPower® © 2023 KBi Form #131523







Battery Cable Installation Diagrams

The PCB inside the KBI KSM Kompact™ module needs power at pin four from a source, such as the key switch, that provides power only when the boat is in operation. See Figure 4.



Example of existing key switch. The needed KSM connections can tap into the existing key switch circuits.

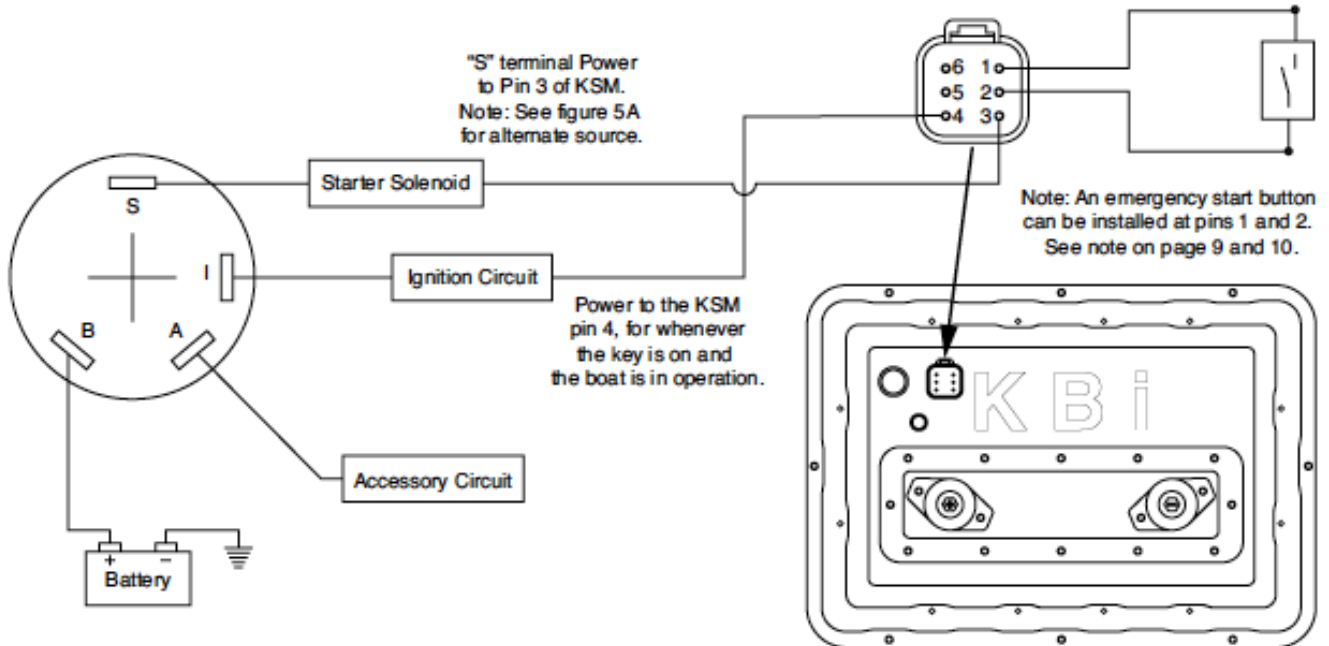


Figure 5: Key Switch Starter Operation



Battery Cable Installation Diagrams, continued

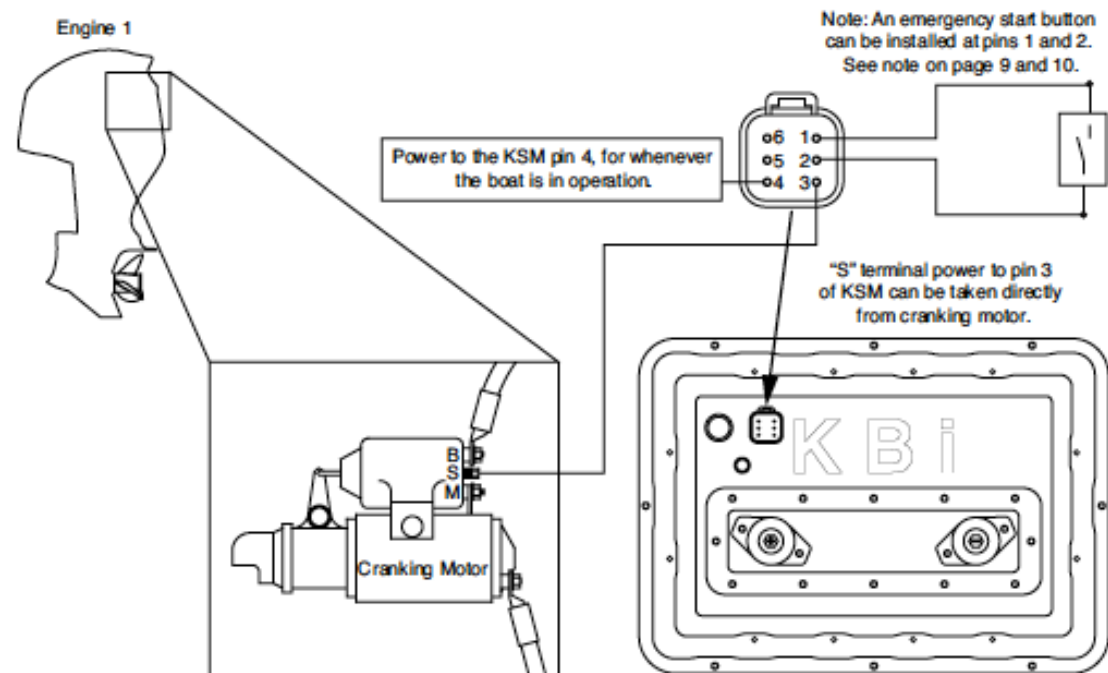
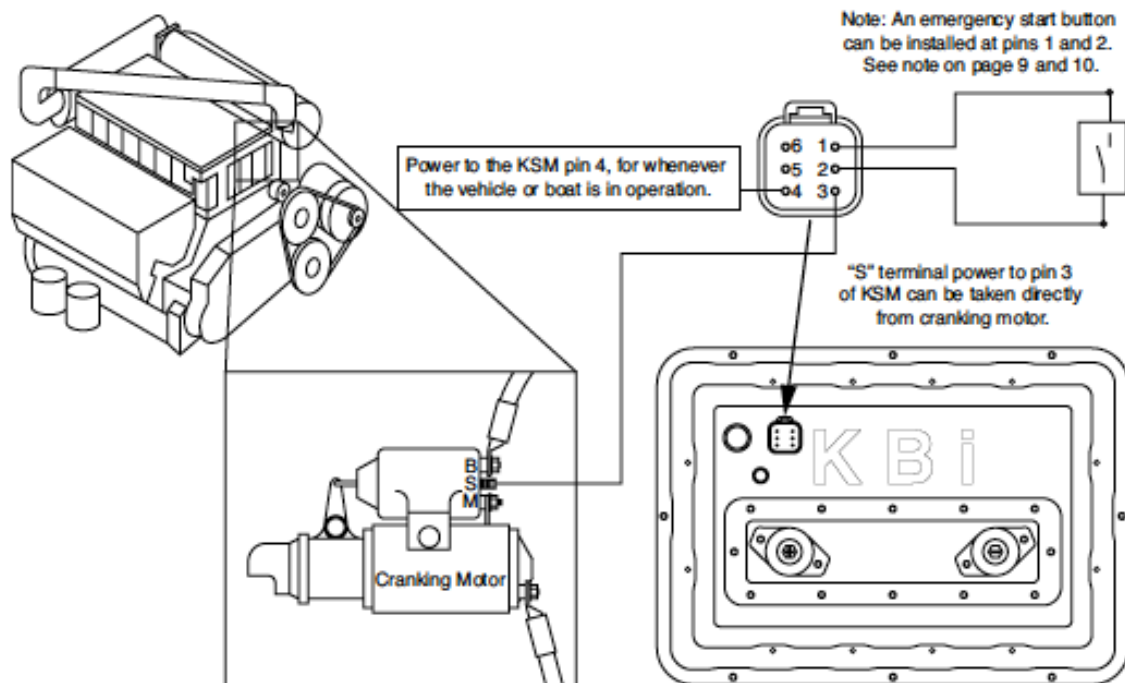


Figure 5A: Boat Operation



KBI / Kold-Ban International, Ltd.

8390 Pingree Road, Lake In The Hills, IL 60156-9637

Phone: (847) 658-8561 | Toll Free: (800) 527-8278 | Fax: (847) 658-9280

www.koldban.com